

# CLIP top 120° hinges



CLIP top/CLIP



## Features

- 120° opening angle
- 3-dimensional adjustment
- All metal hinge, nickel plated
- Available INSERTA tool free attachment

Cover caps

page 27

Mounting plates

pages 43-47

BLUMOTION for doors

page 73

## Minimum Reveal

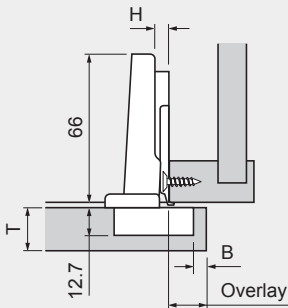
Minimum reveal table						
1.2	1.7	2.0	2.4	3.3	<b>3</b>	
1.2	1.7	2.0	2.3	3.1	<b>4</b>	
1.1	1.6	1.9	2.2	3.0	<b>5</b>	
1.1	1.6	1.9	2.2	2.9	<b>6</b>	
<b>16</b>	<b>18</b>	<b>19</b>	<b>20</b>	<b>22</b>	<b>B</b>	
T Door thickness					Bore	

Cross reference the door thickness and bore distance to assure that doors won't bind when opened.

For door thickness greater than 22mm trial application recommended or use Thick door hinge (page 16).

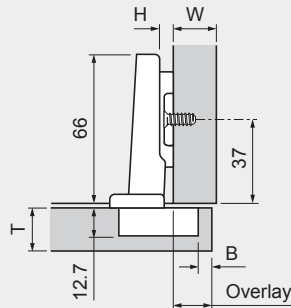
## Frame cabinet applications

### Overlay door



## Panel cabinet applications

### Overlay door



## Straight arm hinges

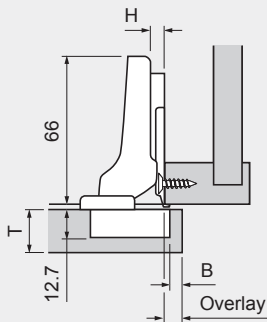
	Self close	Free swing
Screw on	71T5550	70T5550
Press-in	71T5580	70T5580
Expando	71T558E	-
INSERTA	71T5590	70T5590

Overlay table						
0	14	15	16	17	11.5	20.5
3	11	12	13	14	14.5	23.5
4.5	9.5	10.5	11.5	12.5	16	25
6	8	9	10	11	17.5	26.5
9	5	6	7	8	20.5	29.5
<b>H</b>	<b>3</b>	<b>4</b>	<b>5</b>	<b>6</b>	<b>P</b>	<b>S</b>
Plate	B Bore distance				Clearance	

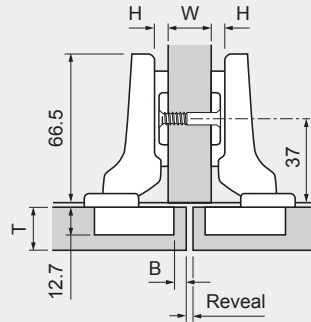
**NOTE:** 4.5 plate only available for face frame, 9 plate only available for panel cabinets

11 fixed distance

### Partial overlay door



### Twin overlay doors



## Half-cranked hinges (9.5mm)

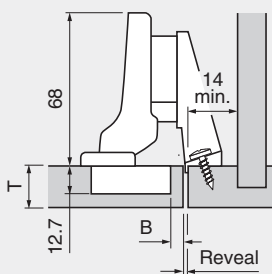
	Self close	Free swing
Screw on	71T5650	70T5650
Press-in	71T5680	70T5680
INSERTA	71T5690	70T5690

Overlay table						
0	4.5	5.5	6.5	7.5	21.5	30
<b>H</b>	<b>3</b>	<b>4</b>	<b>5</b>	<b>6</b>	<b>P</b>	<b>S</b>
Plate	B Bore distance				Clearances	

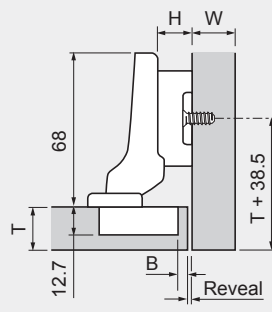
1.5 fixed distance

Reveal table							
0	7	5	3	1	16	21.5	30
	10	8	6	4	19		
<b>H</b>	<b>3</b>	<b>4</b>	<b>5</b>	<b>6</b>	<b>W</b>	<b>P</b>	<b>S</b>
Plate	B Bore distance				Clearances		

### Inset door



### Inset door



## Half-cranked hinges (9.5mm)

	Self close	Free swing
Screw on	71T5650	70T5650
Press-in	71T5680	70T5680
INSERTA	71T5690	70T5690

Reveal table						
9	4.5	3.5	2.5	1.5	30.5	39
<b>H</b>	<b>3</b>	<b>4</b>	<b>5</b>	<b>6</b>	<b>P</b>	<b>S</b>
Plate	B Bore distance				Clearances	

-7.5 fixed distance

**NOTE:** On frame applications select a half-cranked hinge from above and use mounting plate 175H5030.21

For more information on using this section see page 5.

All dimensions in millimeters (inch equivalents as shown).

Subject to technical modifications without notice. © 2004